



# TechData Sheet

Naval Facilities Engineering Service Center  
Port Hueneme, California 93043-4370



TDS-2078-SHR

June 2001

## Pre-Engineered Explosives Magazines

### Overview

Pre-engineered magazines provide a cost-effective alternative to conventional construction for the storage of fuses, detonators, small arms ammunition, and pyrotechnics. They may also be used for the storage of Category II, III, and IV arms when existing facilities do not meet the design criteria of Military Handbook (MIL-HDBK) 1013/1A "Design Guidelines for Physical Security of Facilities." Pre-engineered magazines are available in a variety of sizes at about half the cost of on-site construction.

### Requirements

The Department of Defense (DoD) Manual 5100.76-M "Physical Security of Sensitive Conventional Arms, Ammunition, and Explosives" prescribes the minimum standards and criteria for pre-engineered magazines.

Pre-engineered magazines (Figure 1) shall be constructed from a 1/4-inch exterior steel plate with a 3-inch interior hardwood liner. Rectangular side vents with angle iron covers provide ventilation. The door is mounted with two or more heavy-duty strap hinges. All hinges, vents, and shrouds must be welded in place. Hinge-side protection (Figure 2) is required.

If carriage bolts are used to secure the hardwood liner to the door, they must be welded to the exterior surface.

A High Security Hasp and Padlock is also required. The High Security Hasp must meet the



Figure 1. Pre-engineered magazine. (Used with permission from Armag™ Corp.)

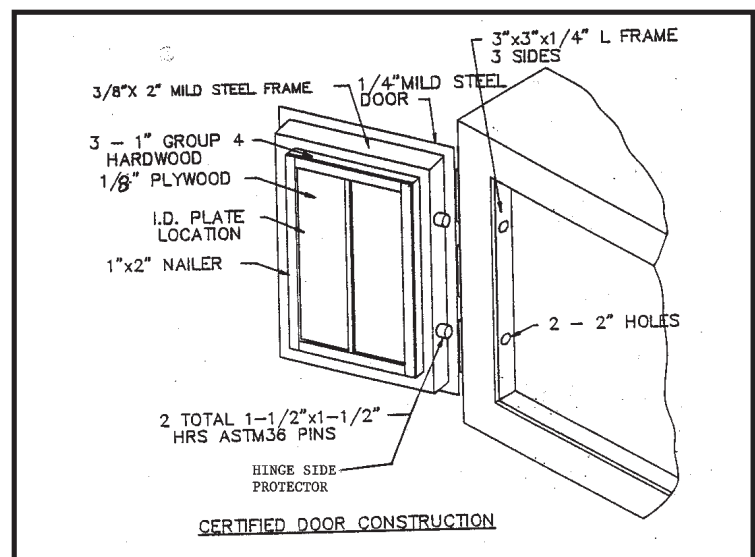


Figure 2. Pin and socket hinge-side protection. (Used with permission from Armag™ Corp.)

---

current requirements of MIL-H-29181A. The High Security Padlock must meet the current requirements of MIL-P-43607.

**Note**

Pre-engineered magazine are not considered relocatable buildings so they are exempt from OPNAVINST 11010.33A, "Relocatable Buildings; Procurement and Use of."

**Sources**

Pre-engineered magazines are available in sizes from 3 x 3 x 3 feet to 8 x 16 x 40 feet (double trailer size). The manufacturer will construct magazines to user specifications. Request price quotations from the following manufacturer.

**Pre-Engineered Magazine Sources**

ARMAG Corporation  
(Formerly Sam Nally Shop, Inc.)  
40 Lucknow Court  
Bardstown, KY 40004  
1-800-443-9994, (502) 348-3987, Fax: (502) 348-4801,  
or E-mail [info@armagcorp.com](mailto:info@armagcorp.com)

**Note**

Military application magazines provided by Armag Corporation come with a high security hasp.

**High Security Padlock Sources**

***Navy, Marine Corps, and Coast Guard***

NAVSURFWARCENDIV  
Building 8  
300 Highway 361  
Crane, IN 47522-5060  
DSN: 482-1354 or (812) 854-1354

**NSN: 5340-01-217-5068**

***Army and Air Force***

Defense Supply Center Philadelphia (DSCP)  
700 Robbins Avenue  
Philadelphia, PA 19111  
DSN: 444-2076 or (215) 737-2076

**NSN: 5340-01-217-5068**

***Non DOD Federal Agencies and DOD Contractors***

Defense Supply Center Philadelphia (DSCP)  
700 Robbins Avenue  
Philadelphia, PA 19111  
DSN: 444-2076 or (215) 737-2076

**NSN: 5340-01-449-4346**

**For further information on pre-engineered magazines, contact:**

**Technical Manager**

Naval Facilities Engineering Service Center  
Code ESC66  
1100 23rd Avenue  
Port Hueneme, CA 93043-4370  
DSN: 551-1212, (805) 982-1212, or E-mail:  
[lock-tm@nfesc.navy.mil](mailto:lock-tm@nfesc.navy.mil)